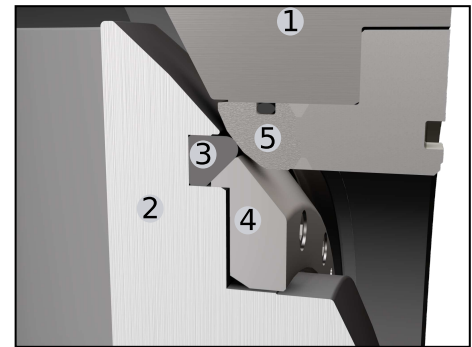


ID	Parts	Materials
1	Body	carbon steel
2	Rotor	carbon steel
3	Main seal	polyurethane / NBR
4	Clamping ring	stainless steel
5	Seat ring	stainless steel
6	Shaft	stainless steel
7	Seals	polyurethane / NBR
8	Bearings	maintenance-free slide bearings



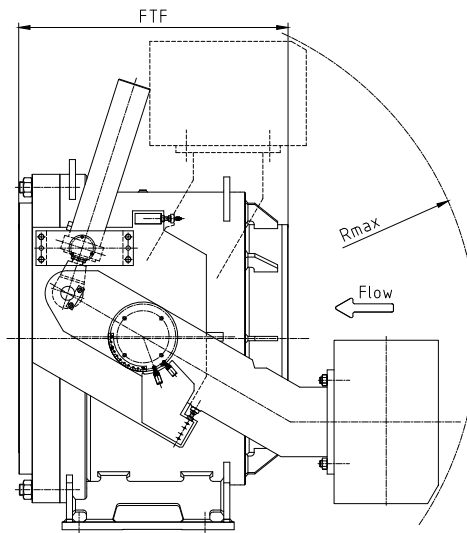
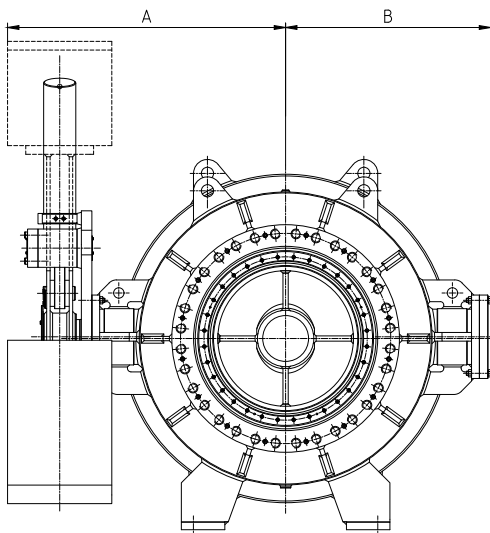
FEATURES & OPTIONS

- 2 parts body design with threaded holes flange
- fabricated design
- full bore rotor
- double eccentric positioning of the rotor
- special profile of the rotor seal
- double sealing system on the shafts
- no lubrication points / maintenance free
- valve body drainage and air vent

- limit switches for close and open position
- for water service in temperature up to 70°C / 158°F
- suitable for emergency closing under nominal flow

OPTIONS

- + additional hydraulic and electrical equipment
- + wiring with terminal box
- + flexible hydraulic hose for servo cylinder
- + locking bolt in closed/open position



Counterweight and servo cylinder

DRIVE TYPES

- servo cylinder for opening, counterweight for closing
- double acting oil servo cylinder
- double acting water servo cylinder
- double acting oil / water servo cylinder
- manual operated gearbox
- electrical operated gearbox

DN	FTF	PN10				PN16				PN25				PN40			
		A	B	R max	Valve weight	A	B	R max	Valve weight	A	B	R max	Valve weight	A	B	R max	Valve weight
[mm]	[mm]	[mm]	[mm]	[mm]	[kg]	[mm]	[mm]	[mm]	[kg]	[mm]	[mm]	[mm]	[kg]	[mm]	[mm]	[mm]	[kg]
400	700	-	-	-	-	-	-	-	-	-	-	-	-	900	610	1300	2400
450	780	-	-	-	-	-	-	-	-	-	-	-	-	960	690	1400	2600
500	900	800	600	1200	1800	850	650	1300	2050	900	700	1500	2400	1000	750	1600	2800
600	1000	900	700	1400	2700	950	750	1500	3000	1000	800	1600	3400	1100	850	1700	4000
700	1100	1000	800	1500	3600	1050	850	1600	4000	1100	900	1800	4600	1300	950	1900	5300
800	1200	1100	900	1600	4800	1200	950	1700	5200	1250	1000	1900	6100	1400	1100	2200	7300
900	1300	1200	950	1700	6300	1300	1000	1800	6700	1400	1100	2000	7800	1500	1200	2400	9300
1000	1500	1250	1000	1900	8500	1350	1100	2000	8900	1550	1200	2200	10300	1750	1300	2600	11700
1100	1600	1350	1150	2000	10500	1400	1200	2100	11100	1600	1300	2300	12400	1900	1400	2800	14300
1200	1800	1500	1300	2100	13000	1550	1350	2200	13700	1700	1400	2400	15300	2000	1500	2900	17600
1300	1900	1600	1400	2300	16100	1650	1450	2400	16800	1800	1500	2600	18800	2200	1600	3000	20800
1400	2100	1650	1450	2400	19300	1700	1500	2500	19900	1900	1600	2700	22400	2300	1750	3200	25000
1500	2200	1750	1600	2500	23000	1900	1650	2600	24300	2200	1700	2800	27000	2400	1900	3400	30000
1600 - 2500	Dimensions available on request.																

Valve weights in dimensions table are given without a drive weight.

Flange in accordance with EN 1092-1. ANSI and MSS flanges available on request.

Dimensions and weights are preliminary only. Final dimensions and weights are established after detail design.

Other materials are available upon request.

Painting for standard valves - two-component epoxy coating.

Drawings are schematic only.