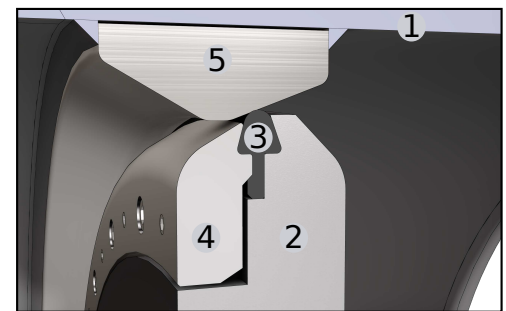
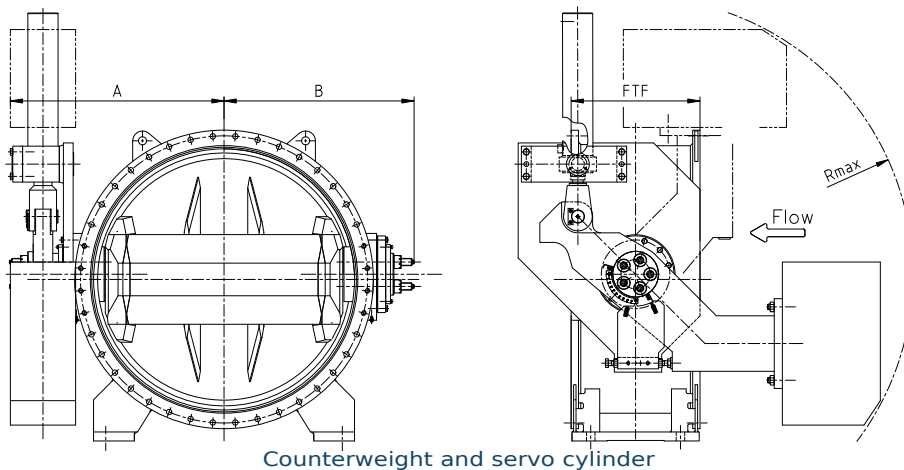


ID	Parts	Materials
1	Body	carbon steel
2	Disc	carbon steel
3	Main seal	NBR
4	Clamping ring	carbon steel
5	Seat ring	stainless steel
6	Shaft	stainless steel
7	Seals	polyurethane / NBR
8	Bearings	maintenance-free slide bearings



FEATURES & OPTIONS

<ul style="list-style-type: none"> • fabricated heavy design with biplane disc • screwed trunions • double eccentric positioning of the disc • special profile of the main seal • double sealing system on the shafts • limit switches for close and open position • visual position indicator • no lubrication points / maintenance free 	<ul style="list-style-type: none"> • for water service in temperature up to 70°C / 158°F • suitable for emergency closing under nominal flow • bearing cartridge
OPTIONS	
	<ul style="list-style-type: none"> + additional hydraulic and electrical equipment + flexible hydraulic hose for servo cylinder + wiring with terminal box + locking bolt in closed/open position



DRIVE TYPES

- servo cylinder for opening, counterweight for closing
- double acting oil servo cylinder
- double acting water servo cylinder
- double acting oil / water servo cylinder
- manual operated gearbox
- electrical operated gearbox

DN	FTF	PN6				PN10				PN16				PN25			
		A	B	R max	Valve weight	A	B	R max	Valve weight	A	B	R max	Valve weight	A	B	R max	Valve weight
[mm]	[mm]	[mm]	[mm]	[mm]	[kg]	[mm]	[mm]	[mm]	[kg]	[mm]	[mm]	[mm]	[kg]	[mm]	[mm]	[mm]	[kg]
800	470	900	700	1100	950	950	700	1200	1050	1000	750	1300	1300	1100	800	1450	2250
900	510	950	750	1300	1150	1000	800	1350	1550	1100	850	1450	1700	1200	900	1650	2900
1000	550	1000	800	1450	1350	1100	850	1500	1800	1200	900	1650	2200	1300	1000	1800	3700
1200	630	1200	900	1700	2050	1300	1000	1800	2650	1400	1100	2000	3350	1600	1200	2200	5550
1400	710	1400	1100	2000	2800	1500	1200	2100	3650	1700	1300	2300	5300	1800	1400	2500	8000
1500	750	1450	1200	2150	3950	1550	1250	2250	4600	1750	1350	2500	5900	2000	1500	2600	8300
1600	790	1600	1300	2300	4800	1800	1400	2400	5800	2000	1500	2600	7000	2100	1600	2700	8900
1800	870	1700	1400	2600	5800	1900	1500	2700	7200	2100	1600	2800	8000	2200	1700	2900	10150
2000	950	2000	1500	2850	8500	2250	1700	2900	10000	2300	1800	2950	11300	2400	1900	3000	14800
2200	1030	2100	1700	3150	10500	2300	1800	3200	12000	2350	1900	3300	13200				
2400	1110	2300	1900	3300	14000												
2600	1190	2550	2150	3500	16500												
2800	1270	2700	2400	3650	18000												
3000	1350	2900	2600	3900	22000												
3200 - 3600	Dimensions available on request.																

Valve weights in dimensions table are given without a drive weight.

Flange in accordance with EN 1092-1. ANSI and MSS flanges available on request.

Dimensions and weights are preliminary only. Final dimensions and weights are established after detail design.

Other materials are available upon request.

Painting for standard valves - two-component epoxy coating.

Drawings are schematic only.