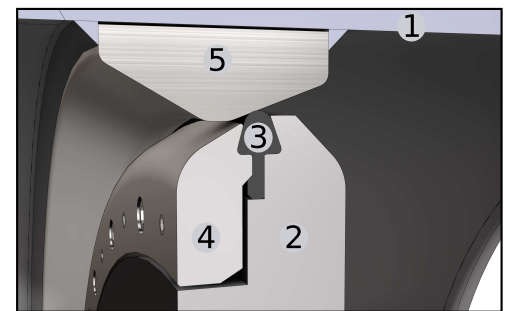
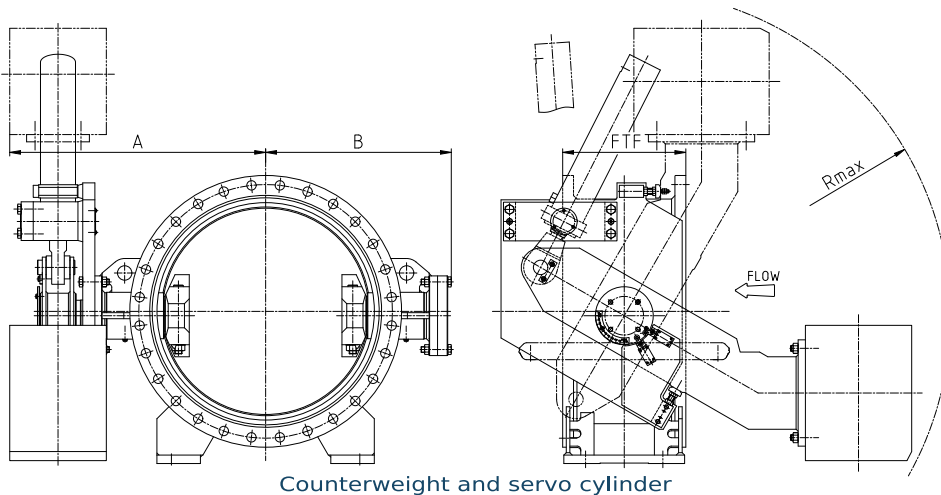


ID	Parts	Materials
1	Body	carbon steel
2	Disc	carbon steel
3	Main seal	NBR
4	Clamping ring	carbon steel
5	Seat ring	stainless steel
6	Shaft	stainless steel
7	Seals	polyurethane / NBR
8	Bearings	maintenance-free slide bearings



FEATURES & OPTIONS

<ul style="list-style-type: none"> • fabricated design with lens disc • double eccentric positioning of the disc • special profile of the main seal • double sealing system on the shafts • limit switches for close and open position • visual position indicator • no lubrication points / maintenance free 	<ul style="list-style-type: none"> • for water service in temperature up to 70°C / 158°F • suitable for emergency closing under nominal flow
OPTIONS	
	<ul style="list-style-type: none"> + additional hydraulic and electrical equipment + flexible hydraulic hose for servo cylinder + wiring with terminal box + locking bolt in closed / open position



Counterweight and servo cylinder

DRIVE TYPES

• servo cylinder for opening, counterweight for closing
• double acting oil servo cylinder
• double acting water servo cylinder
• double acting oil / water servo cylinder
• manual operated gearbox
• electrical operated gearbox

DN	FTF	PN6				PN10				PN16				PN25			
		A	B	R max	Valve weight	A	B	R max	Valve weight	A	B	R max	Valve weight	A	B	R max	Valve weight
[mm]	[mm]	[mm]	[mm]	[mm]	[kg]	[mm]	[mm]	[mm]	[kg]	[mm]	[mm]	[mm]	[kg]	[mm]	[mm]	[mm]	[kg]
200	230	400	210	500	50	420	240	600	55	420	240	700	60	430	250	800	70
250	250	430	250	550	75	450	280	650	90	470	280	750	100	480	300	850	120
300	270	480	280	600	130	490	290	700	150	500	310	800	180	550	350	900	210
350	290	520	330	700	210	540	340	800	250	580	350	900	280	630	390	1000	320
400	310	550	360	800	300	580	380	900	340	630	420	1000	400	700	450	1100	450
450	330	580	380	900	390	610	400	1000	420	670	450	1100	450	740	500	1200	560
500	350	650	450	1000	450	680	450	1000	620	700	500	1100	700	750	550	1200	900
600	390	750	500	1100	550	750	550	1100	700	800	570	1200	800	900	650	1300	1000
700	430	800	600	1200	700	850	630	1200	850	900	650	1300	1050	1000	700	1400	1300
800	470	900	700	1250	820	950	700	1300	950	1000	750	1400	1250	1100	800	1500	1600
900	510	950	750	1300	1050	1000	800	1400	1350	1100	850	1500	1750	1200	900	1650	2150
1000	550	1000	800	1500	1450	1100	850	1500	1800	1200	900	1650	2100	1300	1000	1800	2600
1200	630	1200	900	1600	1800	1300	1000	1700	2400	1400	1100	1800	3350	1600	1200	2000	3800
1400	710	1400	1100	1700	2750	1500	1200	1800	3950	1700	1300	1900	4700				
1500	750	1450	1200	1800	3700	1550	1250	1900	4750	1750	1350	2000	5650				
1600	790	1600	1300	1900	4450	1800	1400	2000	5400	2000	1500	2100	6800				
1800	870	1700	1400	2000	5600	1900	1500	2200	6600								
2000	950	2000	1600	2100	7450	2250	1700	2400	9500								
2200	1030	2100	1700	2200	9500												
2400	1110	2300	1900	2400	11500												
2600	1190	2550	2150	2600	15000												
2800	1270	2700	2300	2800	20500												
3000	1350	2900	2400	3000	24500												
3200 - 3600																	

Dimensions available on request.

Valve weights in dimensions table are given without a drive weight.

Flange in accordance with EN 1092-1. ANSI and MSS flanges available on request.

Dimensions and weights are preliminary only. Final dimensions and weights are established after detail design.

Other materials are available upon request.

Painting for standard valves - two-component epoxy coating.

Drawings are schematic only.