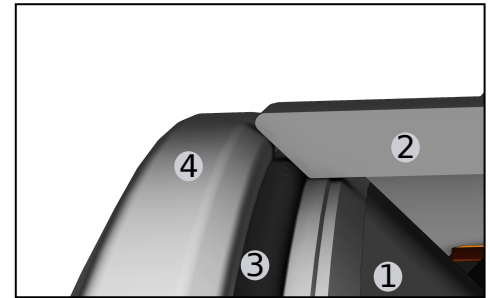


ID	Parts	Materials
1	Body	carbon steel
2	Cylinder gate	stainless steel
3	Main seal	NBR
4	Clamping ring	carbon steel
5	Slides	bronze
6	Seals	polyurethane / NBR



FEATURES & OPTIONS

- compact fabricated design

- good regulating of water discharge

- linear position indicator

- specially designed sealing systems (soft sealing and metal-to-metal sealing)

- good head loss coefficient

- no lubrication points / maintenance free

- used in pressurized piping systems for chamber installation or the end of line installation

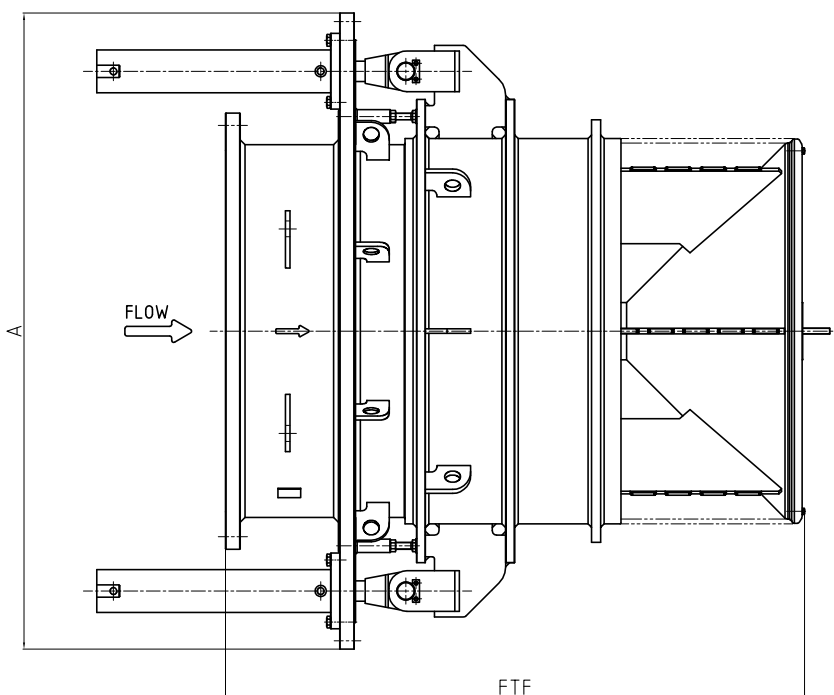
- for water service in temperature up to 70°C / 158°F

OPTIONS

- + additional hydraulic and electrical equipment

- + wiring with terminal box

- + hood pipe



Drive type: servo cylinder

DRIVE TYPES

- manual operated gearbox

- electrical operated gearbox

- double acting oil servo cylinder

DN	FTF	PN6		PN10		PN16		PN25	
		A	Valve weight	A	Valve weight	A	Valve weight	A	Valve weight
[mm]	[mm]	[mm]	[mm]	[mm]	[mm]	[mm]	[mm]	[mm]	[mm]
500	1000	1000	650	1000	650	1050	750	1100	800
600	1150	1100	900	1150	950	1200	1000	1200	1200
700	1300	1300	1250	1350	1500	1400	1600	1400	1700
800	1450	1500	2000	1600	2300	1650	2500	1700	2800
900	1550	1600	2200	1650	2500	1700	2700	1750	3000
1000	1650	1750	2500	1800	2700	1850	2900	1900	3200
1200	1850	2000	2700	2100	3200	2200	3600	2250	4200
1400	2050	2200	4200	2300	4700	2350	5200	2400	5700
1500	2100	2450	5000	2500	5600	2550	6500	2600	6800
1600	2200	2600	6000	2700	6500	2800	9000	2850	9500
1800	2300	2900	7000	3000	8000	3100	9500	3150	10500
2000	2500	3300	8000	3400	9000	3450	12000	3500	14500

Other DN and PN upon request.

Valve weights in dimensions table are given without a drive weight.

Flange in accordance with EN 1092-1. ANSI and MSS flanges available on request.

Dimensions and weights are preliminary only. Final dimensions and weights are established after detail design.

Other materials are available upon request.

Painting for standard valves - two-component epoxy coating.

Drawings are schematic only.