

ID	Parts	Materials
1	Body	carbon steel
2	Piston	stainless steel
3	Main seal	polyurethane / NBR
4	Clamping ring	carbon steel
5	Ring	carbon steel
6	Shaft	stainless steel
7	Seals	polyurethane / NBR
8	Bearings	maintenance-free slide bearings

FEATURES & OPTIONS

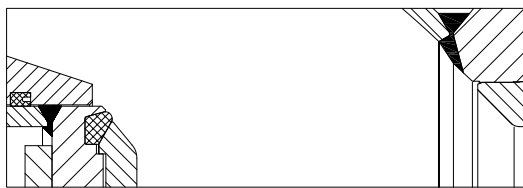
- compact fabricated design
- specially designed sealing systems (soft sealing and metal-to-metal sealing)
- no lubrication points / maintenance free
- used as shut-off and regulating devices in pressurized piping systems
- piston moves axially to the main flow and perpendicularly to the seat ring
- recommended water velocity to max. 15 m/s

- good head loss coefficient
- for water service in temperature up to 70°C / 158°F

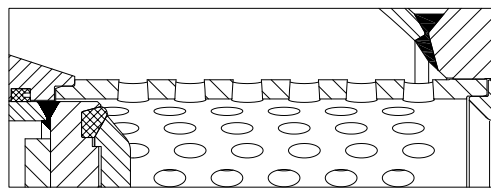
OPTIONS

- + additional hydraulic and electrical equipment
- + wiring with terminal box
- + slotted or perforated cylinders

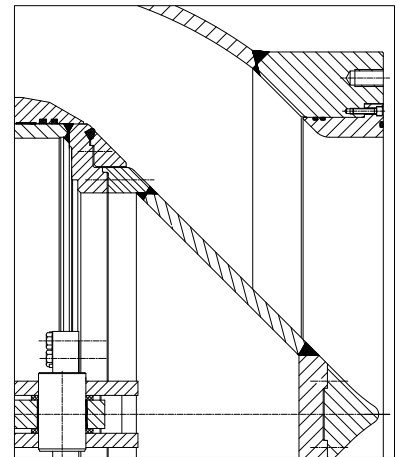
Outlet section



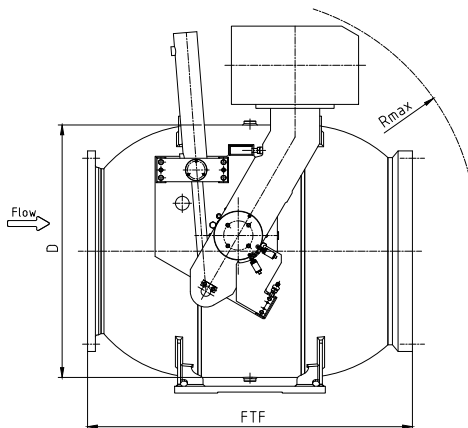
cut-off edge



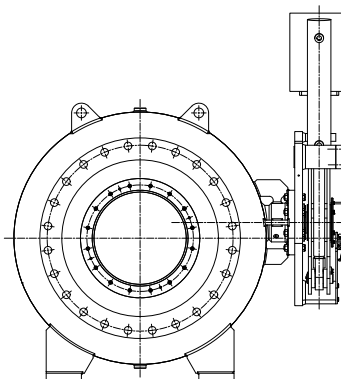
perforated cylinder



cone shape



Counterweight and servo cylinder



DRIVE TYPES

- manual operated gearbox
- electrical operated gearbox
- double acting oil servo cylinder
- servo cylinder for opening, counterweight for closing

DN	FTF	PN6			PN10			PN16			PN25		
		D	R max	Valve weight	D	R max	Valve weight	D	R max	Valve weight	D	R max	Valve weight
[mm]	[mm]	[mm]	[mm]	[kg]	[mm]	[mm]	[kg]	[mm]	[mm]	[kg]	[mm]	[mm]	[kg]
300	850	500	400	200	500	450	250	550	500	300	550	550	350
350	950	550	450	250	550	500	300	600	550	400	650	600	600
400	1000	650	500	400	700	550	500	750	600	600	750	800	900
450	1150	700	550	600	750	600	800	750	650	1000	800	850	1100
500	1250	800	600	800	800	650	1000	800	700	1200	850	900	1300
600	1450	850	650	1200	850	700	1400	850	750	1700	900	950	2000
700	1600	900	750	1400	950	800	1600	950	850	1900	1000	1000	2100
800	1800	1000	800	2000	1000	850	2100	1100	1000	2500	1100	1100	3000
900	2000	1100	900	2400	1100	950	3200	1200	1100	3500	1200	1200	4200
1000	2200	1200	950	2600	1200	1000	3500	1250	1150	3700	1300	1300	5000
1200	2400	1400	1000	3000	1400	1100	3700	1400	1200	4500	1450	1350	5500
1400	3000	1600	1100	4500	1650	1200	6000	1700	1300	8000	1800	1500	12000
- 2000	Dimensions available on request.												

Other DN and PN upon request.

Valve weights in dimensions table are given without a drive weight.

Flange in accordance with EN 1092-1. ANSI and MSS flanges available on request.

Dimensions and weights are preliminary only. Final dimensions and weights are established after detail design.

Other materials are available upon request.

Painting for standard valves - two-component epoxy coating.

Drawings are schematic only.