

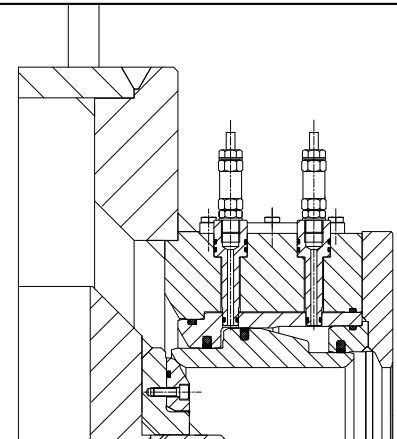
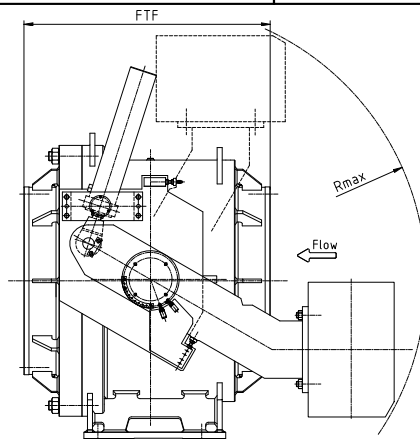
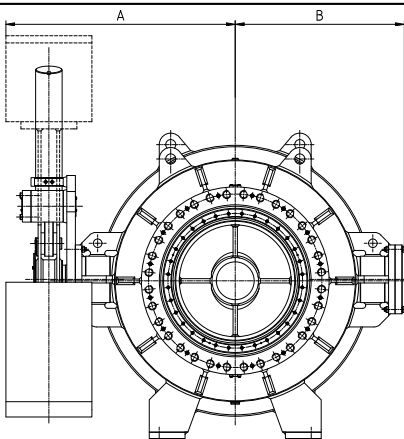
ID	Parts	Materials
1	Body	carbon steel
2	Rotor	carbon steel
3	Main seal	stainless steel / polyurethane / NBR
4	Maintenance seal	stainless steel
5	Static seal	stainless steel
6	Shaft	stainless steel
7	Seals	polyurethane / NBR
8	Bearings	maintenance-free slide bearings

DRIVE TYPES

- servo cylinder for opening, counterweight for closing
- double acting oil servo cylinder
- double acting water servo cylinder
- double acting oil / water servo cylinder

FEATURES & OPTIONS

<ul style="list-style-type: none"> • 2 parts body design with threaded holes flange • fabricated design • full bore rotor • movable, water operated service seal system (metal to metal) • double seals (internal - external) on the shafts • movable, water operated maintenance seal system (metal to metal), allows replacing the service seal without emptying the penstock and removing the valve from the pipeline • valve body drainage and air vent • limit switches for close and open position, • no lubrication points / maintenance free • special shape of the rotor seals for positive, long term tightness 	<ul style="list-style-type: none"> • seal with optical and electrical position indicator • for water service in temperature up to 70°C / 158°F • suitable for emergency closing under nominal flow
OPTIONS	
	<ul style="list-style-type: none"> + additional hydraulic and electrical equipment + wiring with terminal box + flexible hydraulic hose for servo cylinder + hydraulic control system + locking bolts for maintenance seal ring



Counterweight and servo cylinder

Cross section

DN	FTF	PN16				PN25				PN40			
		A	B	R max	Valve weight	A	B	R max	Valve weight	A	B	R max	Valve weight
[mm]	[mm]	[mm]	[mm]	[mm]	[kg]	[mm]	[mm]	[mm]	[kg]	[mm]	[mm]	[mm]	[kg]
400	900	800	600	700	1000	850	650	750	1300	900	700	800	1500
500	980	850	650	800	2100	900	700	850	2700	950	750	950	3100
600	1050	950	750	900	3300	1000	800	950	3700	1100	850	1100	4400
700	1150	1050	850	1000	4400	1100	900	1100	5000	1200	950	1300	5600
800	1230	1200	950	1100	5500	1250	1000	1200	6500	1400	1100	1400	7600
850	1350	1300	1000	1200	6300	1350	1100	1300	7500	1450	1200	1500	9200
900	1420	1400	1100	1400	7000	1450	1100	1500	8200	1500	1300	1600	9600
1000	1550	1500	1150	1500	9300	1550	1200	1600	10500	1600	1400	1700	12000
1100	1700	1600	1200	1600	11500	1600	1300	1700	12800	1700	1500	1800	14700
1200	1850	1700	1400	1700	14200	1800	1500	1800	15800	1900	1600	2000	18000
1300	1950	1800	1500	1800	17500	1850	1550	1900	19500	1950	1700	2100	20500
1400	2200	1900	1700	2000	19500								
1500	2300	2100	1900	2100	24000								
1600	2400	2200	2000	2300	28000								
1800	2500	2400	2200	2500	33000								
2000	2700	2600	2400	2700	35000								
- 2200	Dimensions available on request.												

Other DN and PN upon request.

Valve weights in dimensions table are given without a drive weight.

Flange in accordance with EN 1092-1. ANSI and MSS flanges available on request.

Dimensions and weights are preliminary only. Final dimensions and weights are established after detail design.

Other materials are available upon request.

Painting for standard valves - two-component epoxy coating.

Drawings are schematic only.