

# High Temperature Butterfly Valve with butt weld ends Type HBTV - WE DN200(8")-1200(47") PN6-25

**Description:**

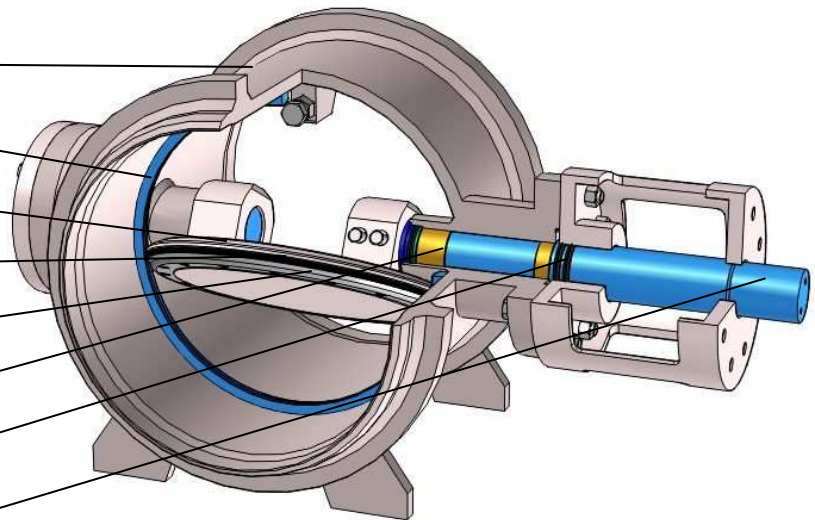
HBTV - WE butterfly valves are of fabricated design with one disc. Double eccentric positioning of the disc permits smooth raising and resetting of the disc-seal from/on the sealing surface.

HBTV - WE valves have double sealing system on the shafts and special profile of the disc seal for positive, long term tightness.

Due to sealing materials of the valve disc and of the shafts, valve may be used in liquid and gaseous service for temperatures up to 400°C as shut-off devices in hot medium pressure pipe systems.

**Main materials:**

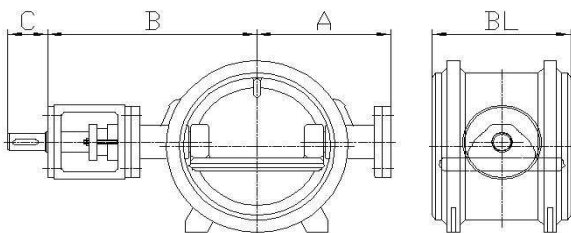
| Parts         | Type standard              |
|---------------|----------------------------|
| Body          | carbon steel               |
| Seat ring     | stainless steel            |
| Disc          | carbon steel               |
| Main sealing  | lamellas/ matalic/ gaskets |
| Clamping ring | carbon steel               |
| Bushings      | slide bushing              |
| Seals         | EPDM / Viton               |
| Shaft         | stainless steel            |



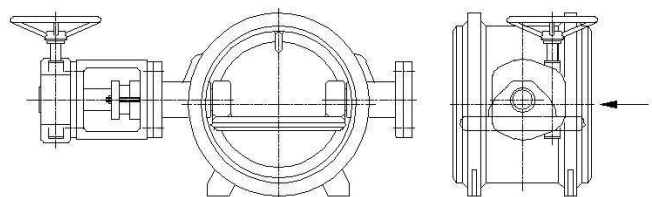
Other materials, pressure rates and temperatures are available upon request.  
Painting for standard valves- epoxy coating

**Drives of valves:**

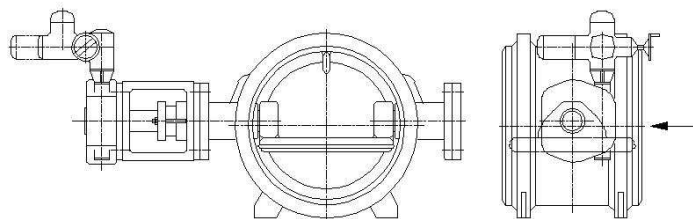
1. Bare shaft



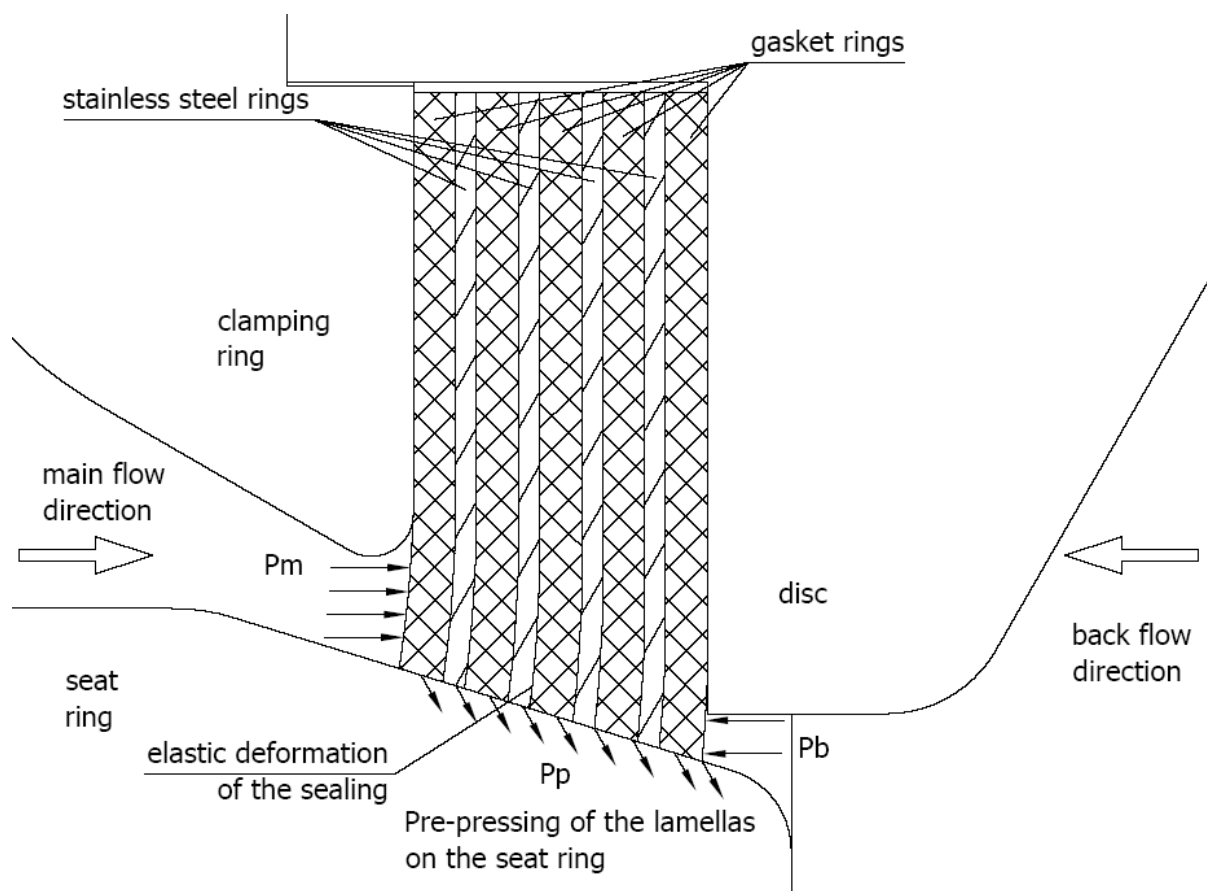
2. Worm gear unit + Handwheel



3. Worm gear unit + Electric actuator



**Lamellas sealing system:**



The main sealing system consists of thin rings made of stainless steel and thin elastic gasket ring. Thickness of the rings is 0,5 up to 2 mm. Sealing package provides tight closure in main flow directions. At closed position seal is pressed on the seat ring. The pressing causes the elastic deformation and pre-pressing on the seat ring (Pp).

The Pm pressure support additional tightness function through increasing of the pressing of the seat ring. Pre-pressing allows keeping the sealing tight against the backflow pressure Pb.

The advantages of the Lamellas sealing system:

- Very good tightness in both directions
- Very small sensibility against wearing or damage
- Maintenance free

## High Temperature Butterfly Valve with butt weld ends Type HBTV - WE DN200(8")-1200(47") PN6-25

**Dimensions and weights for standard range of HBTV - WE butterfly valves (other sizes and pressure ratings are available upon request).**

| DN   | BL   | PN6  |      |      |                |                | PN10 |      |      |                |                | PN16 |      |      |                |                | PN25 |      |      |                |                |
|------|------|------|------|------|----------------|----------------|------|------|------|----------------|----------------|------|------|------|----------------|----------------|------|------|------|----------------|----------------|
|      |      | A    | B    | C    | Weight drive 2 | Weight drive 3 | A    | B    | C    | Weight drive 2 | Weight drive 3 | A    | B    | C    | Weight drive 2 | Weight drive 3 | A    | B    | C    | Weight drive 2 | Weight drive 3 |
| [mm] | [mm] | [mm] | [mm] | [mm] | [kg]           | [kg]           | [mm] | [mm] | [mm] | [kG]           | [kG]           | [mm] | [mm] | [mm] | [kG]           | [kG]           | [mm] | [mm] | [mm] | [kG]           | [kG]           |
| 200  | 430  | 250  | 520  | 50   | 120            | 150            | 250  | 510  | 50   | 125            | 155            | 250  | 520  | 50   | 130            | 155            | 260  | 530  | 55   | 148            | 145            |
| 250  | 450  | 280  | 550  | 50   | 140            | 165            | 280  | 550  | 55   | 145            | 165            | 285  | 560  | 65   | 165            | 185            | 300  | 575  | 70   | 210            | 200            |
| 300  | 470  | 310  | 580  | 55   | 180            | 220            | 310  | 580  | 65   | 190            | 215            | 320  | 595  | 75   | 228            | 243            | 340  | 615  | 75   | 290            | 250            |
| 350  | 490  | 340  | 610  | 60   | 215            | 255            | 340  | 620  | 75   | 245            | 260            | 350  | 625  | 80   | 300            | 320            | 380  | 655  | 80   | 380            | 335            |
| 400  | 510  | 370  | 640  | 75   | 275            | 290            | 370  | 645  | 75   | 330            | 355            | 390  | 665  | 80   | 390            | 405            | 420  | 695  | 100  | 500            | 440            |
| 450  | 530  | 400  | 670  | 70   | 330            | 350            | 400  | 665  | 75   | 380            | 395            | 420  | 695  | 90   | 460            | 475            | 440  | 715  | 110  | 600            | 530            |
| 500  | 550  | 420  | 690  | 75   | 370            | 390            | 420  | 685  | 90   | 445            | 455            | 450  | 720  | 110  | 595            | 620            | 470  | 740  | 120  | 740            | 650            |
| 600  | 590  | 480  | 755  | 90   | 500            | 515            | 480  | 785  | 110  | 615            | 645            | 520  | 830  | 130  | 810            | 850            | 540  | 850  | 150  | 1090           | 935            |
| 700  | 630  | 540  | 845  | 100  | 700            | 725            | 540  | 845  | 130  | 850            | 885            | 570  | 890  | 160  | 1140           | 1165           | 610  | 930  | 180  | 1400           | 1220           |
| 800  | 670  | 610  | 920  | 130  | 870            | 900            | 610  | 940  | 160  | 1085           | 1110           | 640  | 970  | 180  | 1490           | 1515           | 680  | 1010 | 220  | 1950           | 1915           |
| 900  | 710  | 670  | 1000 | 150  | 1240           | 1310           | 670  | 995  | 180  | 1630           | 1660           | 700  | 1050 | 200  | 1700           | 1725           |      |      |      |                |                |
| 1000 | 750  | 730  | 1060 | 160  | 1490           | 1520           | 730  | 1075 | 200  | 1990           | 2020           | 760  | 1110 | 220  | 2750           | 2800           |      |      |      |                |                |
| 1200 | 830  | 870  | 1220 | 200  | 2590           | 2520           | 870  | 1250 | 240  | 3170           | 3200           |      |      |      |                |                |      |      |      |                |                |

Flange in accordance with ISO / DIN.

Flanges in accordance with ANSI and MSS available on request.